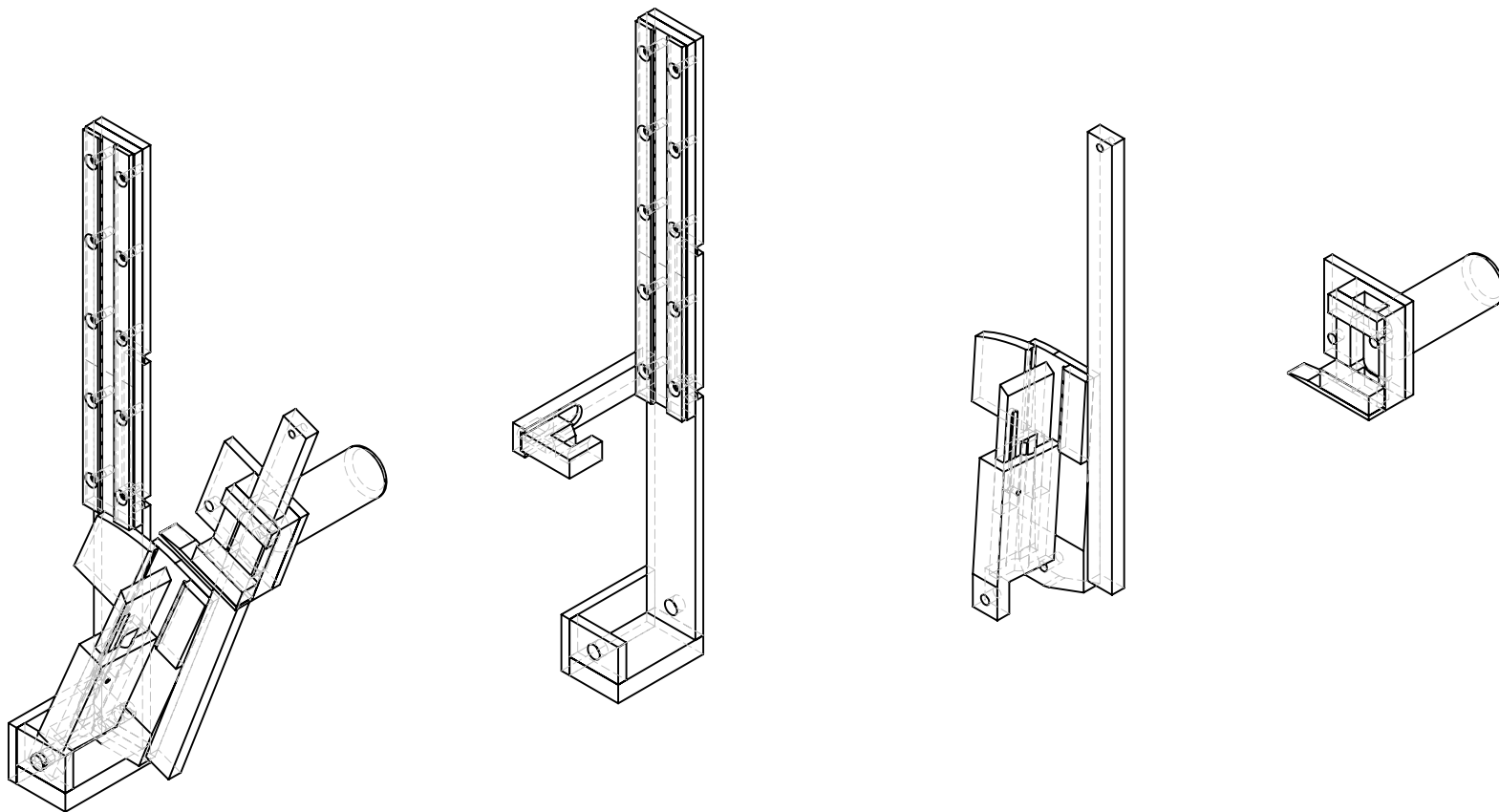


THE INFORMATION CONTAINED IN THIS DRAWING IS THE SOLE PROPERTY OF RAY-VIN, INC. ANY REPRODUCTION IN PART OR WHOLE WITHOUT THE WRITTEN PERMISSION OF RAY-VIN, INC. IS PROHIBITED. CONTACT:  
 RAY-VIN, INC., 1844 MT CELLO RD  
 MARIANNA, FL 32448-5365  
 1-850-482-7562 email: rvb@ray-vin.com  
 www.ray-vin.com



ITEM NO.	PART OR IDENTIFYING NO.	NOMENCLATURE OR DESCRIPTION	MATERIAL SPECIFICATION	QTY REQD
<b>PARTS LIST</b>				
UNLESS OTHERWISE SPECIFIED DIMENSIONS ARE IN INCHES TOLERANCES ARE: FRACTIONS    DECIMALS    ANGLES +                .XX+ .XX    + 1 .XXX+.XXX		CAD GENERATED DRAWING, DO NOT MANUALLY UPDATE	<b>RAY-VIN, INC.</b>	
		APPROVALS	DATE	M1 CLIP LOADER ASSEMBLIES
		DRAWN    RVB	Nov 2009	
		CHECKED		
		RESP ENG		
		MATERIAL    1018 CRS	MFG ENG	
		FINISH    PARKERIZE	QUAL ENG	
NEXT ASSY	USED ON	DO NOT SCALE DRAWING	SCALE	DWG. NO.    SCL-00    REV.
APPLICATION			CAD FILE:	SHEET    OF