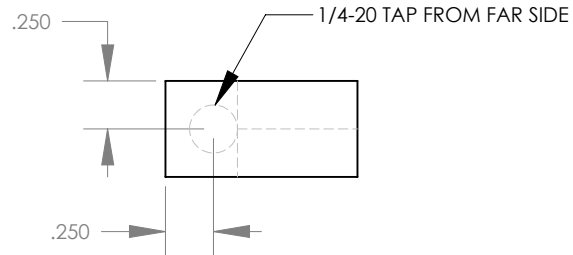
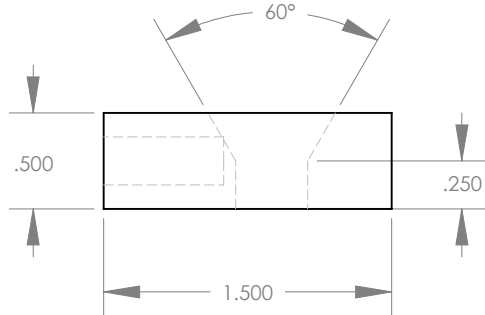
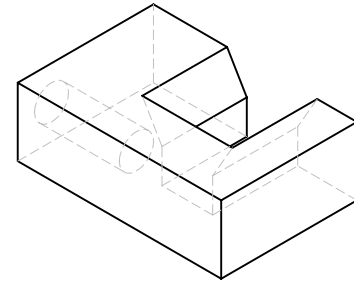
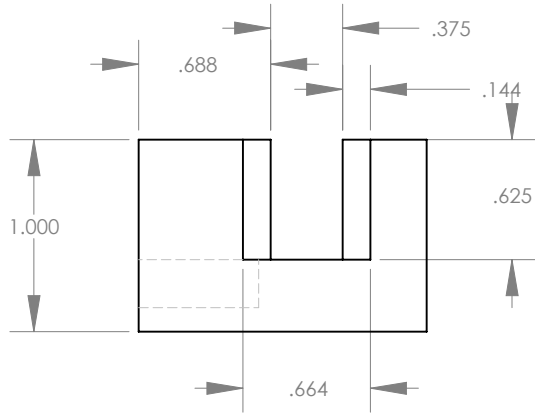


THE INFORMATION CONTAINED IN THIS DRAWING IS THE SOLE PROPERTY OF RAY-VIN, INC. ANY REPRODUCTION IN PART OR WHOLE WITHOUT THE WRITTEN PERMISSION OF RAY-VIN, INC. IS PROHIBITED. CONTACT:  
 RAY-VIN, INC., 1844 MT CELLO RD  
 MARIANNA, FL 32448-5365  
 1-850-482-7562 email: rvb@ray-vin.com  
 www.ray-vin.com



| ITEM NO.  | PART OR IDENTIFYING NO. | NOMENCLATURE OR DESCRIPTION                      | MATERIAL SPECIFICATION | QTY REQD |
|---|-------------------------|--|------------------------|----------|
| <b>PARTS LIST</b>   |                         |  |                        |          |
| UNLESS OTHERWISE SPECIFIED DIMENSIONS ARE IN INCHES TOLERANCES ARE:<br>FRACTIONS DECIMALS ANGLES<br>+ .XX+ .XX + 1<br>.XXX+.XXX |                         | CAD GENERATED DRAWING,<br>DO NOT MANUALLY UPDATE | <b>RAY-VIN, INC.</b>   |          |
|   |                         | APPROVALS  | DATE                   |          |
|   |                         | DRAWN RVB  | Nov 2009               |          |
|   |                         | CHECKED  |                        |          |
|   |                         | RESP ENG   |                        |          |
|   |                         | MFG ENG  |                        |          |
|   |                         | QUAL ENG   |                        |          |
| MATERIAL 1018 CRS   |                         | M1 CLIP LOADER<br>GUIDE                          |                        |          |
| FINISH PARKERIZE  |                         |  |                        |          |
| NEXT ASSY   | USED ON                 | SIZE A   | DWG. NO. -             | REV.     |
| APPLICATION   |                         | SCALE  | CAD FILE:              | SHEET OF |
|   |                         |  |                        |          |