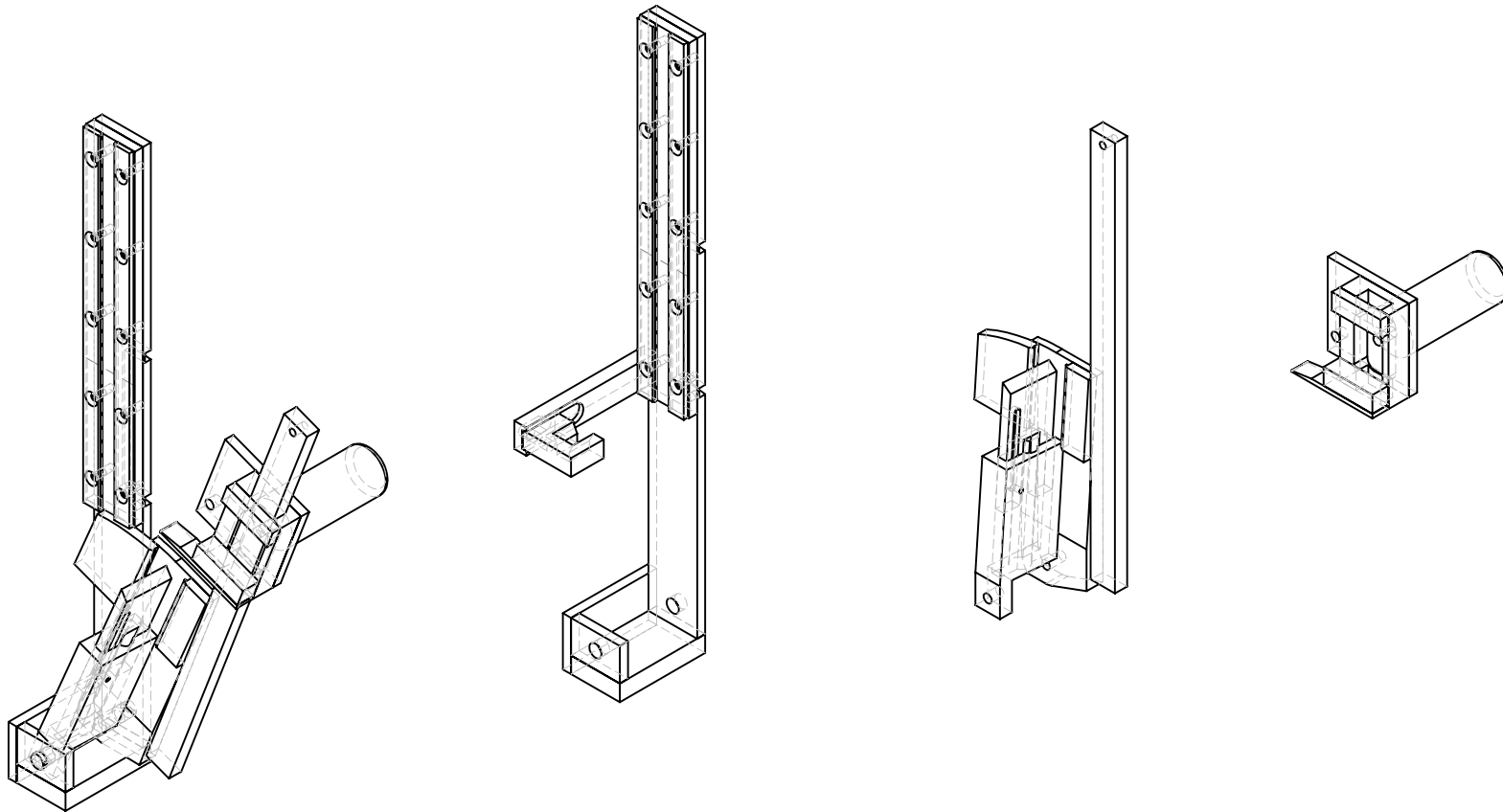


THE INFORMATION CONTAINED IN THIS DRAWING IS THE SOLE PROPERTY OF RAY-VIN, INC. ANY REPRODUCTION IN PART OR WHOLE WITHOUT THE WRITTEN PERMISSION OF RAY-VIN, INC. IS PROHIBITED. CONTACT:  
 RAY-VIN, INC., 1844 MT CELLO RD  
 MARIANNA, FL 32448-5365  
 1-850-482-7562 email: rvb@ray-vin.com  
 www.ray-vin.com



ITEM NO.	PART OR IDENTIFYING NO.	NOMENCLATURE OR DESCRIPTION	MATERIAL SPECIFICATION	QTY REQD
<b>PARTS LIST</b>				
UNLESS OTHERWISE SPECIFIED DIMENSIONS ARE IN INCHES TOLERANCES ARE: FRACTIONS    DECIMALS    ANGLES +                .XX+ .XX    + 1 .XXX+.XXX		CAD GENERATED DRAWING, DO NOT MANUALLY UPDATE	<b>RAY-VIN, INC.</b>	
		APPROVALS	DATE	
		DRAWN	RVB	Nov 2009
		CHECKED		
		MATERIAL	1018 CRS	
		FINISH	PARKERIZE	
		RESP ENG		
		MFG ENG		
		QUAL ENG		
NEXT ASSY	USED ON	SCALE	DWG. NO.	REV.
		A	SCL-00	
APPLICATION	DO NOT SCALE DRAWING	SCALE	CAD FILE:	SHEET OF
				1 OF

**RAY-VIN, INC.**  
 M1 CLIP LOADER  
 ASSEMBLIES

DWG. NO. SCL-00

A