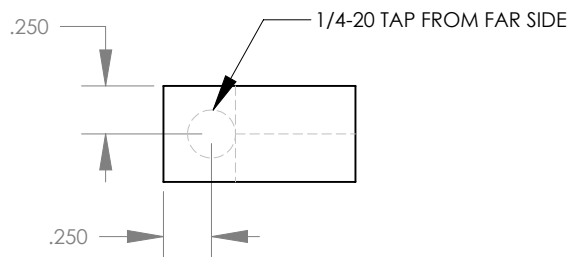
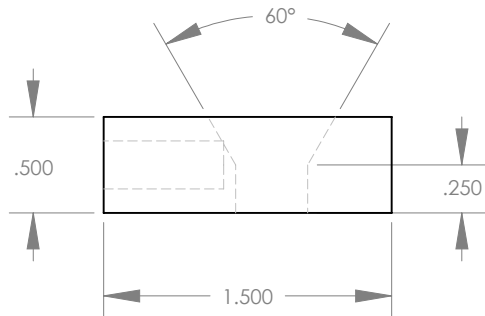
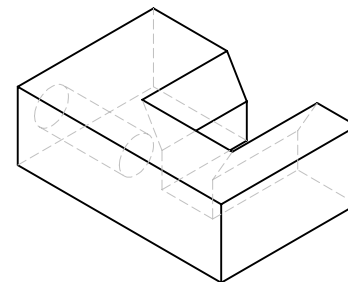
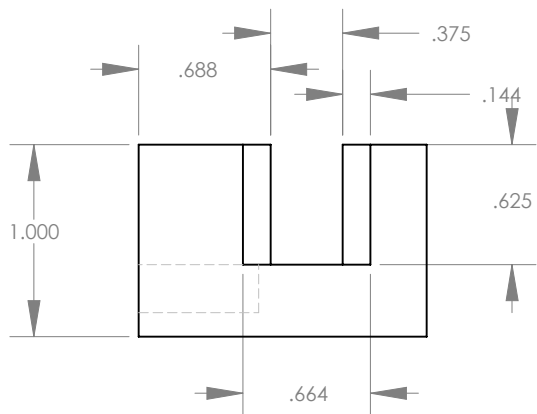


THE INFORMATION CONTAINED IN THIS DRAWING IS THE SOLE PROPERTY OF RAY-VIN, INC. ANY REPRODUCTION IN PART OR WHOLE WITHOUT THE WRITTEN PERMISSION OF RAY-VIN, INC. IS PROHIBITED. CONTACT:
 RAY-VIN, INC., 1844 MT CELLO RD
 MARIANNA, FL 32448-5365
 1-850-482-7562 email: rvb@ray-vin.com
 www.ray-vin.com



ITEM NO.	PART OR IDENTIFYING NO.	NOMENCLATURE OR DESCRIPTION	MATERIAL SPECIFICATION	QTY REQD
PARTS LIST				
UNLESS OTHERWISE SPECIFIED DIMENSIONS ARE IN INCHES TOLERANCES ARE: FRACTIONS DECIMALS ANGLES + .XX+ .XX + 1 .XXX+.XXX		CAD GENERATED DRAWING, DO NOT MANUALLY UPDATE	RAY-VIN, INC. M1 CLIP LOADER GUIDE	
		APPROVALS DATE		
DRAWN		RVB Nov 2009		
CHECKED				
MATERIAL		1018 CRS	RESP ENG	
FINISH		PARKERIZE	MFG ENG	
APPLICATION		DO NOT SCALE DRAWING	QUAL ENG	
NEXT ASSY	USED ON	SIZE A	DWG. NO. -	REV.
SCALE		CAD FILE:	SHEET	OF