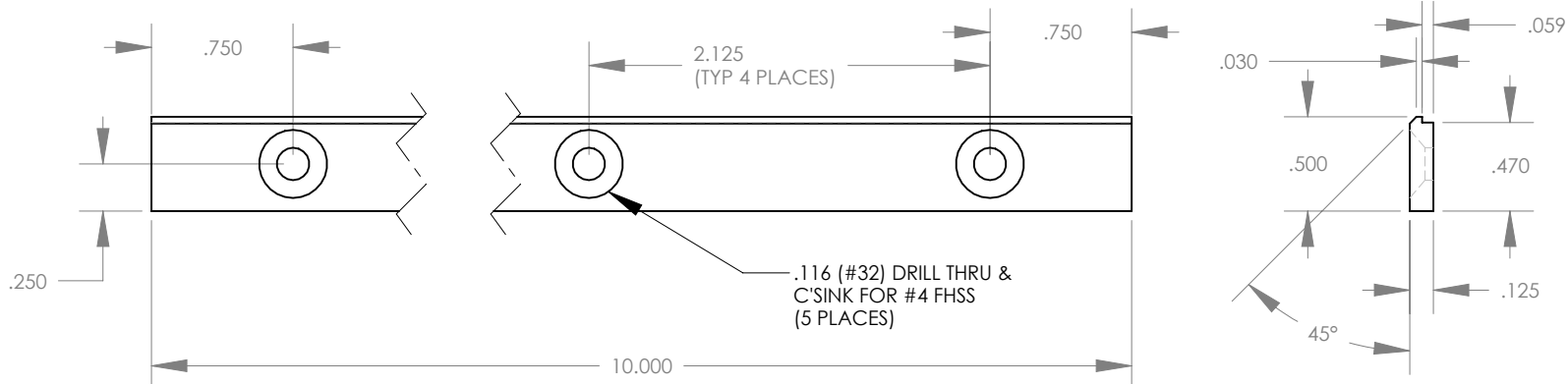


THE INFORMATION CONTAINED IN THIS DRAWING IS THE SOLE PROPERTY OF RAY-VIN, INC. ANY REPRODUCTION IN PART OR WHOLE WITHOUT THE WRITTEN PERMISSION OF RAY-VIN, INC. IS PROHIBITED. CONTACT:
 RAY-VIN, INC., 1844 MT CELLO RD
 MARIANNA, FL 32448-5365
 1-850-482-7562 email: rvb@ray-vin.com
 www.ray-vin.com



ITEM NO.	PART OR IDENTIFYING NO.	NOMENCLATURE OR DESCRIPTION	MATERIAL SPECIFICATION	QTY REQD												
PARTS LIST																
UNLESS OTHERWISE SPECIFIED DIMENSIONS ARE IN INCHES		CAD GENERATED DRAWING, DO NOT MANUALLY UPDATE														
TOLERANCES ARE:		<table border="1"> <tr> <td colspan="2" style="text-align: center;">RAY-VIN, INC.</td> </tr> <tr> <td colspan="2" style="text-align: center;">M1 CLIP LOADER CARTRIDGE GUIDE (2 REQUIRED)</td> </tr> </table>			RAY-VIN, INC.		M1 CLIP LOADER CARTRIDGE GUIDE (2 REQUIRED)									
RAY-VIN, INC.																
M1 CLIP LOADER CARTRIDGE GUIDE (2 REQUIRED)																
FRACTIONS	DECIMALS	ANGLES	<table border="1"> <tr> <td>APPROVALS</td> <td>DATE</td> </tr> <tr> <td>DRAWN RVB</td> <td>Nov 2009</td> </tr> <tr> <td>CHECKED</td> <td></td> </tr> <tr> <td>RESP ENG</td> <td></td> </tr> <tr> <td>MFG ENG</td> <td></td> </tr> <tr> <td>QUAL ENG</td> <td></td> </tr> </table>		APPROVALS	DATE	DRAWN RVB	Nov 2009	CHECKED		RESP ENG		MFG ENG		QUAL ENG	
APPROVALS	DATE															
DRAWN RVB	Nov 2009															
CHECKED																
RESP ENG																
MFG ENG																
QUAL ENG																
+	.XX+ .XX	+ 1	<table border="1"> <tr> <td>SIZE</td> <td>DWG. NO.</td> <td>REV.</td> </tr> <tr> <td>A</td> <td>SCL-03</td> <td></td> </tr> </table>		SIZE	DWG. NO.	REV.	A	SCL-03							
SIZE	DWG. NO.	REV.														
A	SCL-03															
	.XXX+.XXX		<table border="1"> <tr> <td>SCALE</td> <td>CAD FILE:</td> <td>SHEET</td> <td>OF</td> </tr> <tr> <td></td> <td></td> <td>1</td> <td></td> </tr> </table>		SCALE	CAD FILE:	SHEET	OF			1					
SCALE	CAD FILE:	SHEET	OF													
		1														
MATERIAL		FINISH														
1018 CRS		PARKERIZE														
NEXT ASSY	USED ON	APPLICATION														
		DO NOT SCALE DRAWING														