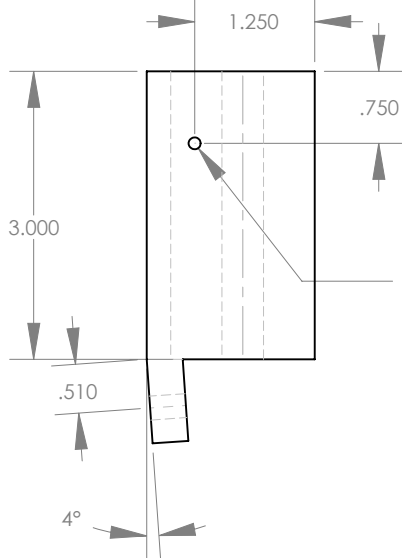
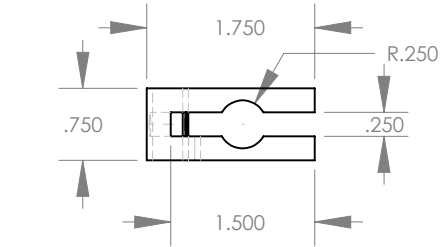
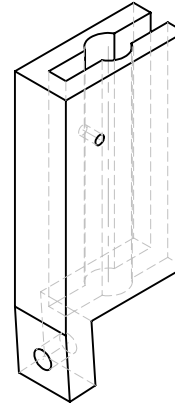
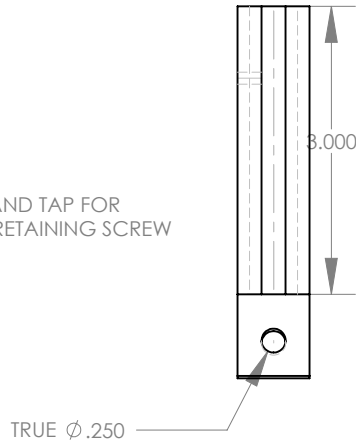


THE INFORMATION CONTAINED IN THIS DRAWING IS THE SOLE PROPERTY OF RAY-VIN, INC. ANY REPRODUCTION IN PART OR WHOLE WITHOUT THE WRITTEN PERMISSION OF RAY-VIN, INC. IS PROHIBITED. CONTACT:
 RAY-VIN, INC., 1844 MT CELLO RD
 MARIANNA, FL 32448-5365
 1-850-482-7562 email: rvb@ray-vin.com
 www.ray-vin.com



DRILL AND TAP FOR FOLLOWER RETAINING SCREW



| ITEM NO. | PART OR IDENTIFYING NO. | NOMENCLATURE OR DESCRIPTION | MATERIAL SPECIFICATION | QTY REQD |
|--|-------------------------|--|--|----------|
| PARTS LIST | | | | |
| UNLESS OTHERWISE SPECIFIED DIMENSIONS ARE IN INCHES TOLERANCES ARE: FRACTIONS DECIMALS ANGLES + .XX+ .XX + 1 .XXX+.XXX | | CAD GENERATED DRAWING, DO NOT MANUALLY UPDATE | RAY-VIN, INC. M1 CLIP LOADER FOLLOWER GUIDE | |
| | | APPROVALS DATE | | |
| | | DRAWN RVB Nov 2009 | | |
| | | CHECKED | | |
| MATERIAL 1018 CRS | | RESP ENG | | |
| FINISH PARKERIZE | | MFG ENG | | |
| NEXT ASSY USED ON | | QUAL ENG | | |
| APPLICATION DO NOT SCALE DRAWING | | | | |
| | | SIZE DWG. NO. REV. | | |
| | | A SCL-06A 1 | | |
| | | SCALE CAD FILE: SHEET OF | | |