

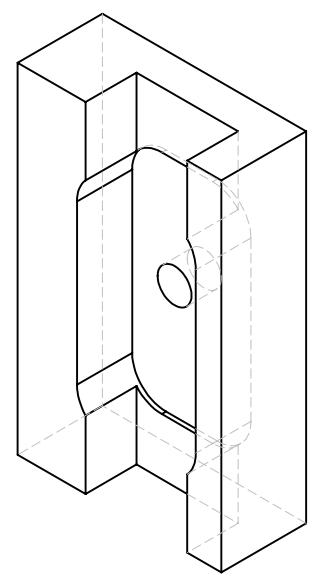
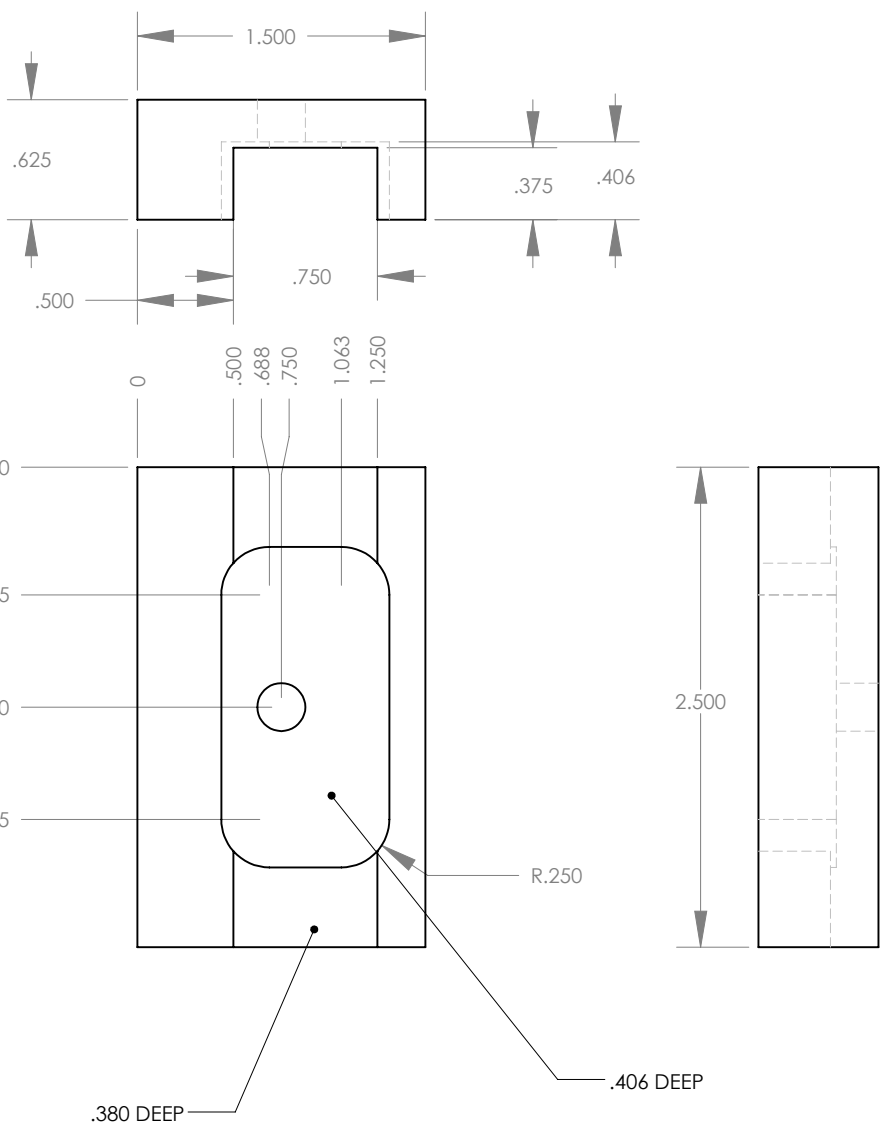
THE INFORMATION CONTAINED IN THIS DRAWING IS THE SOLE PROPERTY OF RAY-VIN, INC. ANY REPRODUCTION IN PART OR WHOLE WITHOUT THE WRITTEN PERMISSION OF RAY-VIN, INC. IS PROHIBITED. CONTACT:  
 RAY-VIN, INC., 1844 MT CELLO RD  
 MARIANNA, FL 32448-5365  
 1-850-482-7562 email: rvb@ray-vin.com  
 www.ray-vin.com

D

C

B

A



D

C

B

A

ITEM NO.	PART OR IDENTIFYING NO.	NOMENCLATURE OR DESCRIPTION	MATERIAL SPECIFICATION	QTY REQD
<b>PARTS LIST</b>				
UNLESS OTHERWISE SPECIFIED DIMENSIONS ARE IN INCHES TOLERANCES ARE: FRACTIONS .XX+ .XX + 1 DECIMALS .XXX+ .XXX ANGLES + 1		CAD GENERATED DRAWING, DO NOT MANUALLY UPDATE	<b>RAY-VIN, INC.</b>  M1 CLIP LOADER  UPRIGHT	
APPROVALS		DATE		
DRAWN	RVB	Nov 2009		
CHECKED				
MATERIAL 1018 CRS		RESP ENG		
FINISH PARKERIZE		MFG ENG		
DO NOT SCALE DRAWING		QUAL ENG		
NEXT ASSY	USED ON	APPLICATION	SIZE A	DWG. NO. SCL-01
			SCALE	CAD FILE:
			SHEET	OF