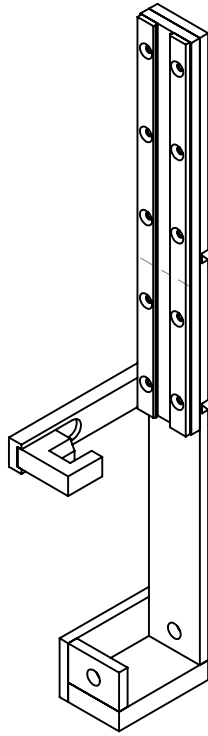
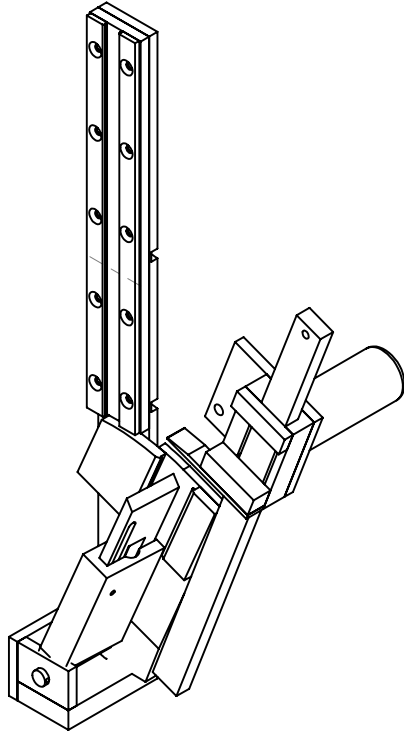
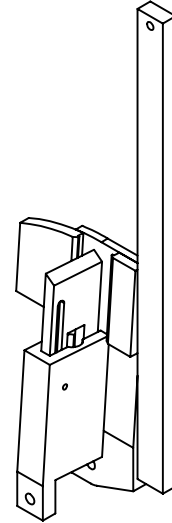


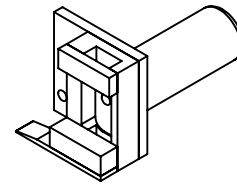
THE INFORMATION CONTAINED IN THIS DRAWING IS THE SOLE PROPERTY OF RAY-VIN, INC. ANY REPRODUCTION IN PART OR WHOLE WITHOUT THE WRITTEN PERMISSION OF RAY-VIN, INC. IS PROHIBITED. CONTACT:
 RAY-VIN, INC., 1844 MT CELLO RD
 MARIANNA, FL 32448-5365
 1-850-482-7562 email: rvb@ray-vin.com
 www.ray-vin.com



UPRIGHT



ROCKER



PUSHER

ITEM NO.	PART OR IDENTIFYING NO.	NOMENCLATURE OR DESCRIPTION	MATERIAL SPECIFICATION	QTY REQD
PARTS LIST				
UNLESS OTHERWISE SPECIFIED DIMENSIONS ARE IN INCHES TOLERANCES ARE: FRACTIONS DECIMALS ANGLES + .XX+ .XX + 1 .XXX+.XXX		CAD GENERATED DRAWING, DO NOT MANUALLY UPDATE	RAY-VIN, INC.	
		APPROVALS	DATE	
		DRAWN	RVB Nov 2009	
		CHECKED		
		MATERIAL	1018 CRS	
		FINISH	PARKERIZE	
		RESP ENG		
		MFG ENG		
		QUAL ENG		
NEXT ASSY	USED ON	APPLICATION	DO NOT SCALE DRAWING	
		SCALE	DWG. NO.	REV.
		A	SCL-A	
		CAD FILE:	SHEET	OF
			1	

RAY-VIN, INC.

M1 CLIP LOADER

ASSEMBLIES

SCL-A

REV.

SHEET OF