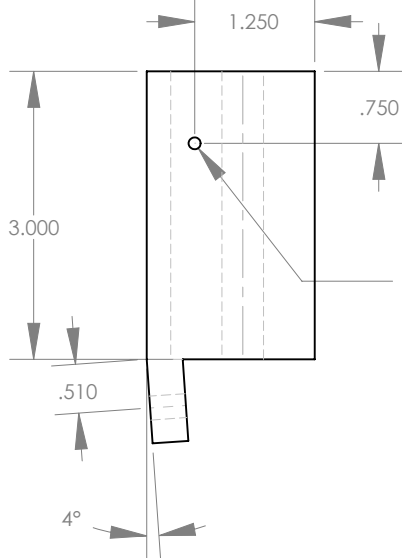
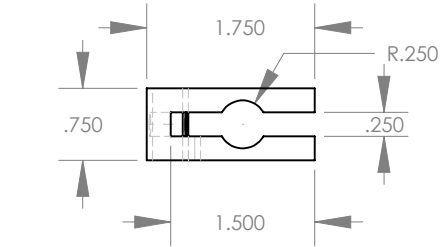
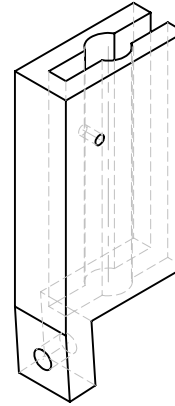
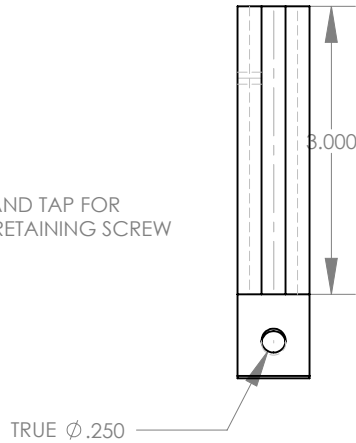


THE INFORMATION CONTAINED IN THIS DRAWING IS THE SOLE PROPERTY OF RAY-VIN, INC. ANY REPRODUCTION IN PART OR WHOLE WITHOUT THE WRITTEN PERMISSION OF RAY-VIN, INC. IS PROHIBITED. CONTACT:
 RAY-VIN, INC., 1844 MT CELLO RD
 MARIANNA, FL 32448-5365
 1-850-482-7562 email: rvb@ray-vin.com
 www.ray-vin.com



DRILL AND TAP FOR FOLLOWER RETAINING SCREW



ITEM NO.	PART OR IDENTIFYING NO.	NOMENCLATURE OR DESCRIPTION	MATERIAL SPECIFICATION	QTY REQD
PARTS LIST				
UNLESS OTHERWISE SPECIFIED DIMENSIONS ARE IN INCHES TOLERANCES ARE: FRACTIONS DECIMALS ANGLES + .XX+ .XX + 1 .XXX+.XXX		CAD GENERATED DRAWING, DO NOT MANUALLY UPDATE	RAY-VIN, INC.	
		APPROVALS	DATE	
		DRAWN RVB	Nov 2009	
		CHECKED		
		RESP ENG		
		MFG ENG		
		QUAL ENG		
MATERIAL 1018 CRS		M1 CLIP LOADER FOLLOWER GUIDE		
FINISH PARKERIZE				
NEXT ASSY	USED ON	SIZE DWG. NO.	REV.	
APPLICATION		A SCL-06A		
DO NOT SCALE DRAWING		SCALE CAD FILE:	SHEET	OF