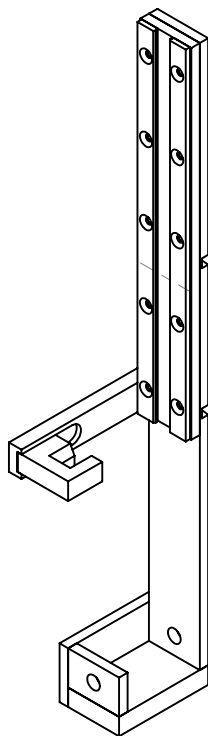
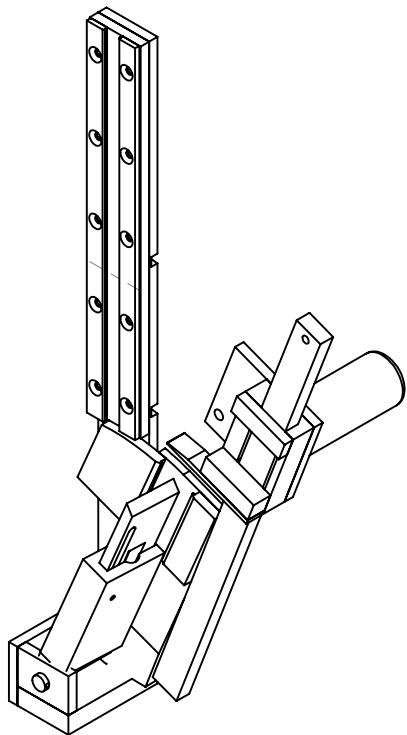
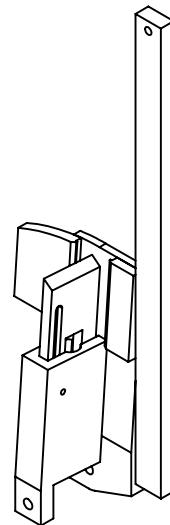


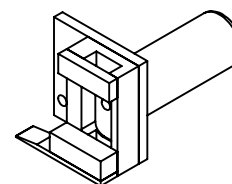
THE INFORMATION CONTAINED IN THIS DRAWING IS THE SOLE PROPERTY OF RAY-VIN, INC. ANY REPRODUCTION IN PART OR WHOLE WITHOUT THE WRITTEN PERMISSION OF RAY-VIN, INC. IS PROHIBITED. CONTACT:
 RAY-VIN, INC., 1844 MT CELLO RD
 MARIANNA, FL 32448-5365
 1-850-482-7562 email: rvb@ray-vin.com
 www.ray-vin.com



UPRIGHT



ROCKER



PUSHER

ITEM NO.	PART OR IDENTIFYING NO.	NOMENCLATURE OR DESCRIPTION	MATERIAL SPECIFICATION	QTY REQD
PARTS LIST				
UNLESS OTHERWISE SPECIFIED DIMENSIONS ARE IN INCHES TOLERANCES ARE: FRACTIONS DECIMALS ANGLES + .XX+ .XX + 1 .XXX+.XXX		CAD GENERATED DRAWING, DO NOT MANUALLY UPDATE	RAY-VIN, INC.	
		APPROVALS	DATE	
		DRAWN	RVB Nov 2009	
		CHECKED		
		RESP ENG		
		MFG ENG		
		QUAL ENG		
MATERIAL 1018 CRS		M1 CLIP LOADER ASSEMBLIES		
FINISH PARKERIZE				
NEXT ASSY	USED ON	SIZE A	DWG. NO. SCL-A	REV.
APPLICATION		SCALE	CAD FILE:	SHEET OF
				1

8 7 6 5 4 3 2 1

D

D

C

C

B

B

A

A

8 7 6 5 4 3 2 1