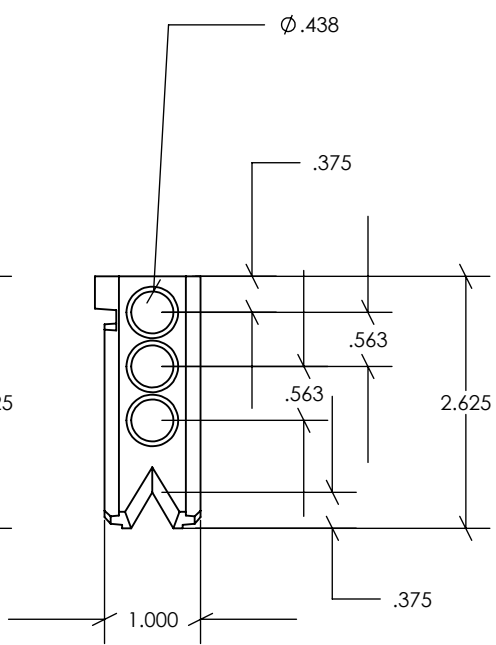
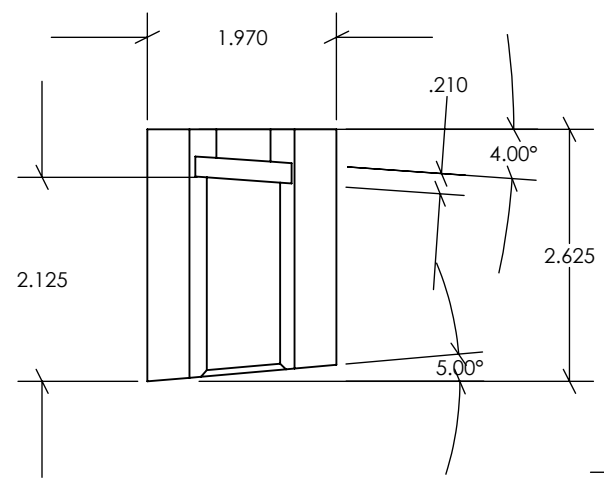
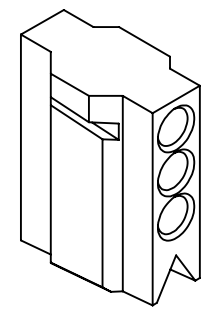
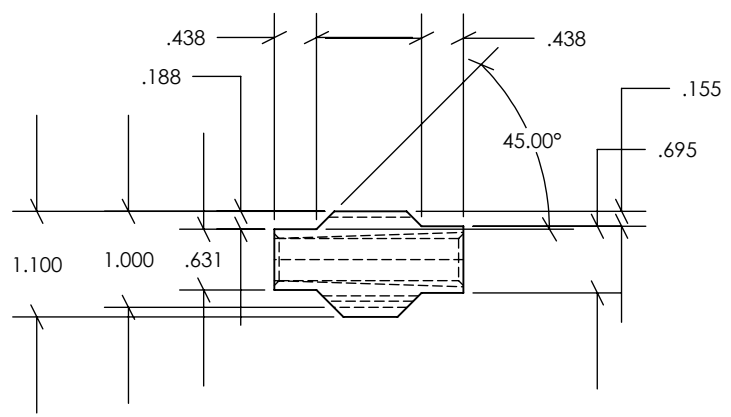


8 7 6 5 4 3 2 1

THE INFORMATION CONTAINED IN THIS DRAWING IS IN THE PUBLIC DOMAIN



D  
C  
B  
A

D  
C  
B  
A

| ITEM NO.  | PART OR IDENTIFYING NO. | NOMENCLATURE OR DESCRIPTION                   | MATERIAL SPECIFICATION | QTY REQD  |
|---|-------------------------|---|------------------------|-----------|
| PARTS LIST  |                         |   |                        |           |
| UNLESS OTHERWISE SPECIFIED DIMENSIONS ARE IN INCHES TOLERANCES ARE:<br>FRACTIONS .XX+ .XX + 1<br>DECIMALS .XXX+.XXX<br>ANGLES |                         | CAD GENERATED DRAWING, DO NOT MANUALLY UPDATE | Ray-Vin Publishing Co. |           |
|   |                         | APPROVALS                                     | DATE                   |           |
|   |                         | DRAWN RVB                                     | 7/20/99                |           |
|   |                         | CHECKED                                       |                        |           |
| MATERIAL --   |                         | RESP ENG                                      |                        |           |
| FINISH --   |                         | MFG ENG                                       |                        |           |
| NEXT ASSY   | USED ON                 | QUAL ENG                                      | SIZE A                 | DWG. NO.  |
| APPLICATION   |                         | DO NOT SCALE DRAWING                          | SCALE                  | CAD FILE: |
|   |                         |   | SHEET                  | OF        |

8 7 6 5 4 3 2 1