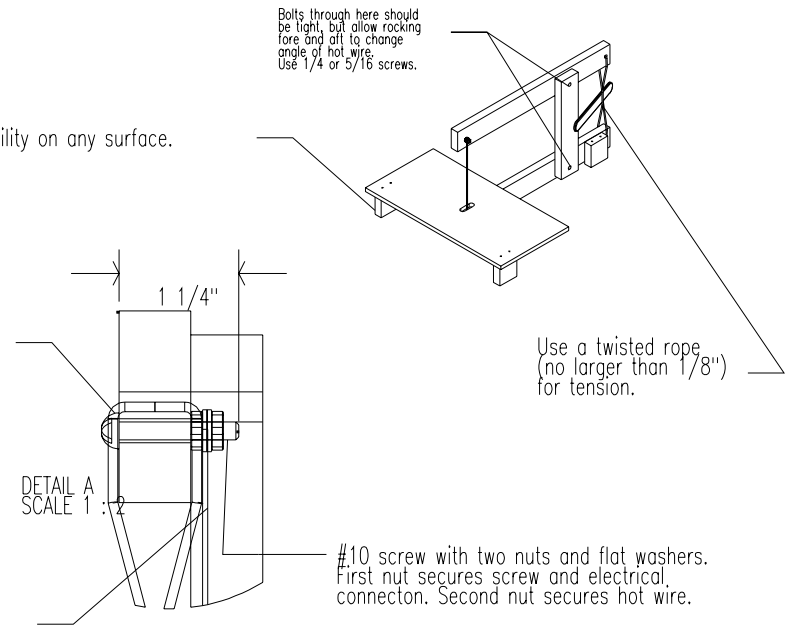


Tripod base for stability on any surface.

Put electrical connection under screw head, top and bottom.

Ni-chrome wire goes between flat washers.



Bolts through here should be tight, but allow rocking fore and aft to change angle of hot wire. Use 1/4 or 5/16 screws.

