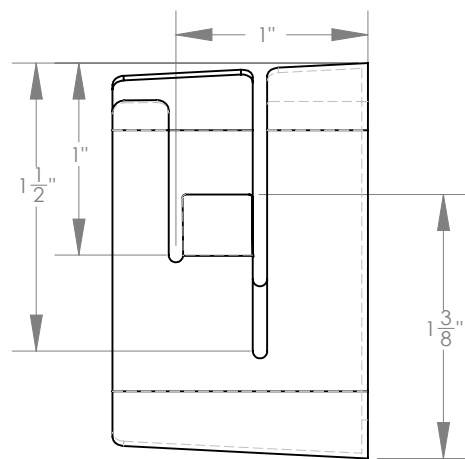
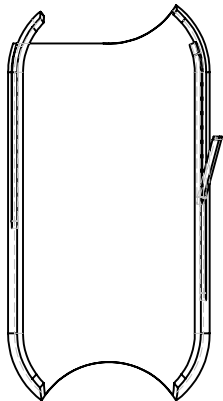
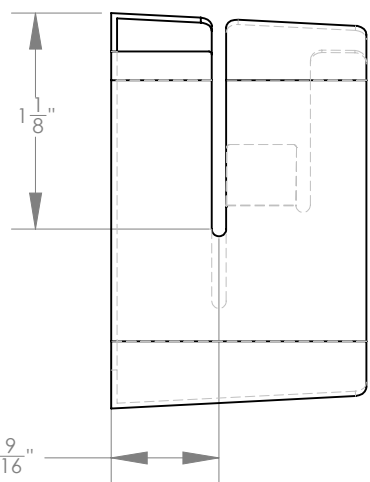
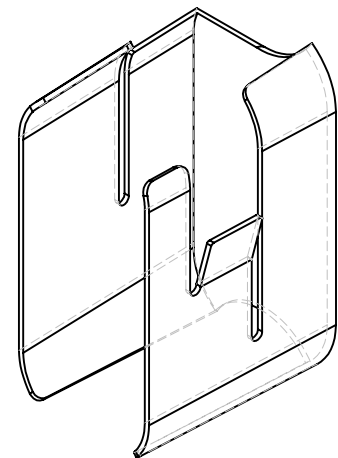
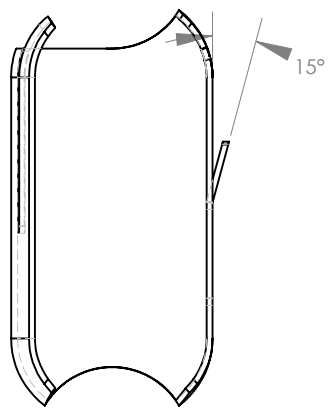


THE INFORMATION CONTAINED IN THIS DRAWING IS THE SOLE PROPERTY OF RAY-VIN, INC. ANY REPRODUCTION IN PART OR WHOLE WITHOUT THE WRITTEN PERMISSION OF RAY-VIN, INC. IS PROHIBITED. CONTACT:
 RAY-VIN, INC., 1844 MT CELLO RD
 MARIANNA, FL 32448-5365
 1-850-482-7562 email: rvb@ray-vin.com
 www.ray-vin.com



1 3/8" This dimension is important!
 Too short and the bolt closes on your finger!
 Too long and the bolt won't close at all!

ITEM NO.	PART OR IDENTIFYING NO.	NOMENCLATURE OR DESCRIPTION	MATERIAL SPECIFICATION	QTY REQD	
PARTS LIST					
UNLESS OTHERWISE SPECIFIED DIMENSIONS ARE IN INCHES TOLERANCES ARE: FRACTIONS .XX+ .XX + 1 DECIMALS .XXX+.XXX ANGLES		CAD GENERATED DRAWING, DO NOT MANUALLY UPDATE	RAY-VIN, INC. M1 SINGLE LOAD CLIP MODIFICATION		
MATERIAL ENBLOC		APPROVALS			DATE
FINISH PARKERIZE		DRAWN RVB			6-2010
DO NOT SCALE DRAWING		CHECKED			
NEXT ASSY	USED ON	MATERIAL	RESP ENG		
APPLICATION		FINISH	MFG ENG		
			QUAL ENG		
		SIZE A	DWG. NO. GCA 2010	REV.	
		SCALE	CAD FILE:	SHEET OF	