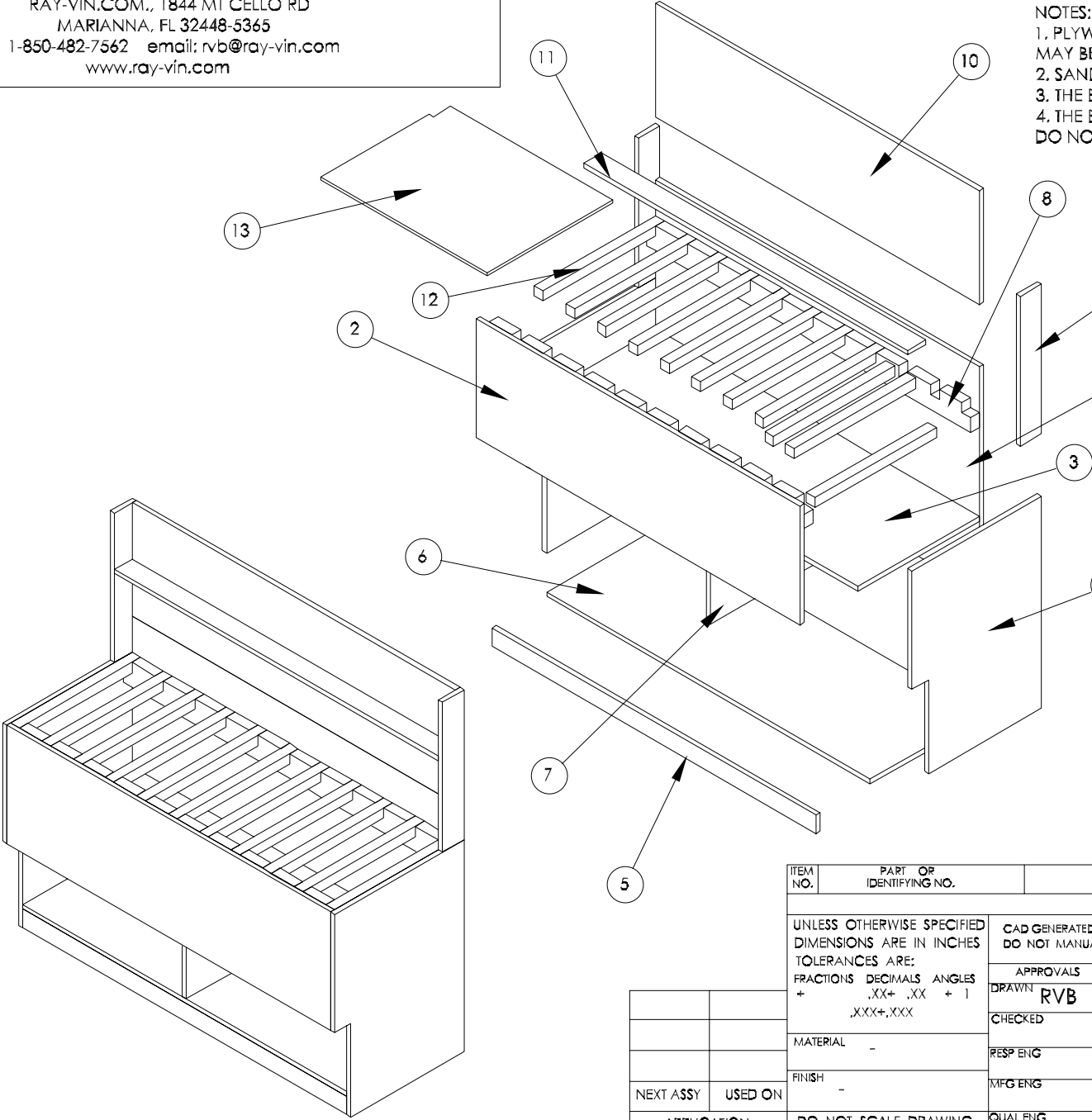


THE INFORMATION CONTAINED IN THIS DRAWING IS THE SOLE PROPERTY OF RAY-VIN.COM. ANY REPRODUCTION IN PART OR WHOLE WITHOUT THE WRITTEN PERMISSION OF RAY-VIN, INC. IS PROHIBITED. CONTACT: RAY-VIN.COM., 1844 MT CELLO RD MARIANNA, FL 32448-5365 1-850-482-7562 email: rvb@ray-vin.com www.ray-vin.com

NOTES:
 1. PLYWOOD PARTS ARE 3/4" THICK. COVER HALFS MAY BE 1/2" THICK.
 2. SAND BIN SHOULD BE LINED WITH SHEETMETAL.
 3. THE BARS (#12) ARE 2 X 4'S RIPPED IN HALF LENGTHWISE.
 4. THE BARS AND COVER HALFS ARE REMOVABLE. DO NOT SCREW OR NAIL IN PLACE.



ITEM NO.	QTY.	PART NO.	DESCRIPTION
1	2	side	34 x 24
2	1	front	60 x 19
3	1	bottom	60 x 22-1/2
4	1	back	60 x 36
5	1	kickplate	60 x 3
6	1	bottomshelf	60 x 21
7	1	brace	20-1/4 x 11-1/4
8	2	rail	2 x 4 x 60
9	2	extender	24 x 4
10	1	splash	60 x 18-1/4
11	1	topshelf	60 x 4
12	11	bar	1-5/8 SQ. x 22-1/2
13	2	coverhalf	30-3/4 x 23-1/4

ITEM NO.	PART OR IDENTIFYING NO.	NOMENCLATURE OR DESCRIPTION	MATERIAL SPECIFICATION	QTY RECD
PARTS LIST				
UNLESS OTHERWISE SPECIFIED DIMENSIONS ARE IN INCHES TOLERANCES ARE:		CAD GENERATED DRAWING. DO NOT MANUALLY UPDATE		RAY-VIN.COM MOLDING BENCH 1 OF 1
FRACTIONS DECIMALS ANGLES + .XX+ .XX + 1 .XXX+.XXX		APPROVALS	DATE	
MATERIAL -		DRAWN RVB	11/15/02	
FINISH -		CHECKED		
NEXT ASSY	USED ON	MFG ENG		SIZE A DWG. NO. - REV.
APPLICATION DO NOT SCALE DRAWING		QUAL ENG		SCALE CAD FILE: SHEET OF