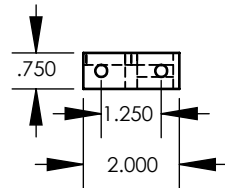
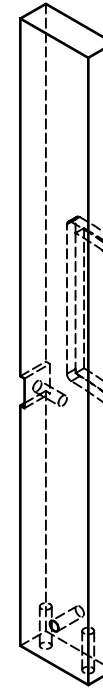
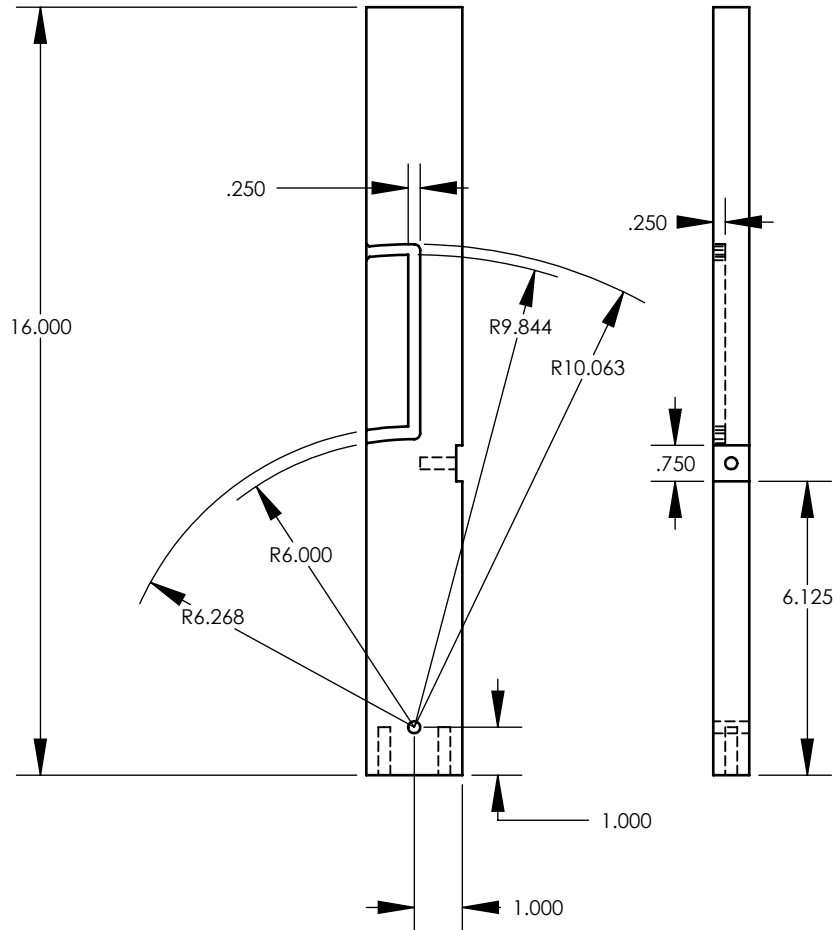


THE INFORMATION CONTAINED IN THIS DRAWING IS THE SOLE PROPERTY OF RAY-VIN, INC. ANY REPRODUCTION IN PART OR WHOLE WITHOUT THE WRITTEN PERMISSION OF RAY-VIN, INC. IS PROHIBITED. CONTACT:  
 RAY-VIN, INC., 1844 MT CELLO RD  
 MARIANNA, FL 32448-5365  
 1-850-482-7562 email: rvb@ray-vin.com  
 www.ray-vin.com



NEXT ASSY	USED ON
APPLICATION	

ITEM NO.	PART OR IDENTIFYING NO.	NOMENCLATURE OR DESCRIPTION	MATERIAL SPECIFICATION	QTY REQD
PARTS LIST				
UNLESS OTHERWISE SPECIFIED DIMENSIONS ARE IN INCHES		CAD GENERATED DRAWING, DO NOT MANUALLY UPDATE		<b>RAY-VIN, INC.</b>  OAK M1 CLIP LOADER  SUPPORT
TOLERANCES ARE:		APPROVALS	DATE	
FRACTIONS .XX+ .XX + 1		DRAWN <b>RVB</b>	JULY 2010	
.XXX+.XXX		CHECKED		
MATERIAL -		RESP ENG		
FINISH -		MFG ENG		
DO NOT SCALE DRAWING		QUAL ENG		
SIZE A	DWG. NO. CL-01	REV.		
SCALE	CAD FILE:	SHEET	OF	