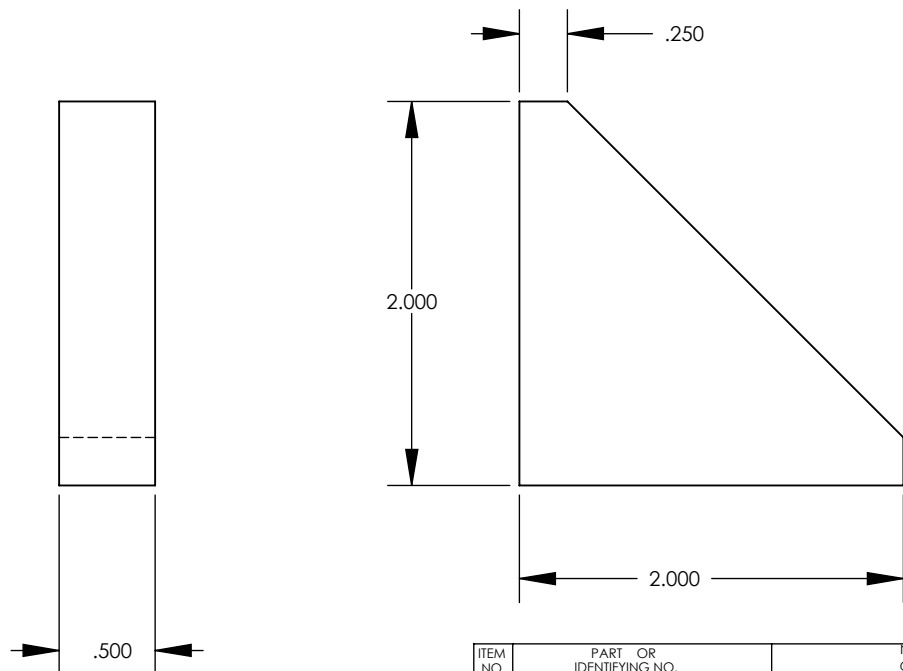
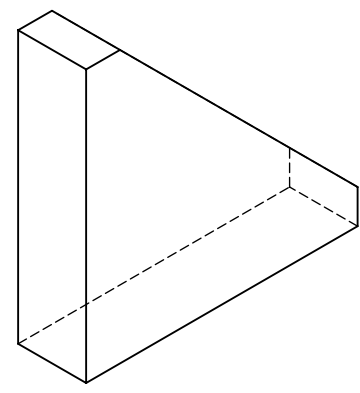


THE INFORMATION CONTAINED IN THIS DRAWING IS THE SOLE PROPERTY OF RAY-VIN, INC. ANY REPRODUCTION IN PART OR WHOLE WITHOUT THE WRITTEN PERMISSION OF RAY-VIN, INC. IS PROHIBITED. CONTACT:
 RAY-VIN, INC., 1844 MT CELLO RD
 MARIANNA, FL 32448-5365
 1-850-482-7562 email: rvb@ray-vin.com
 www.ray-vin.com



ITEM NO.	PART OR IDENTIFYING NO.	NOMENCLATURE OR DESCRIPTION	MATERIAL SPECIFICATION	QTY REQD
PARTS LIST				
UNLESS OTHERWISE SPECIFIED DIMENSIONS ARE IN INCHES TOLERANCES ARE:		CAD GENERATED DRAWING, DO NOT MANUALLY UPDATE		RAY-VIN, INC. OAK M1 CLIP LOADER BRACE
FRACTIONS DECIMALS ANGLES + .XX+ .XX + 1 .XXX+.XXX		APPROVALS	DATE	
MATERIAL		DRAWN	RESP ENG	
FINISH		CHECKED	MFG ENG	
NEXT ASSY	USED ON	MATERIAL	MFG ENG	QUAL ENG
APPLICATION		DO NOT SCALE DRAWING		SCALE
				DWG. NO. CL-15 REV.
				SHEET OF