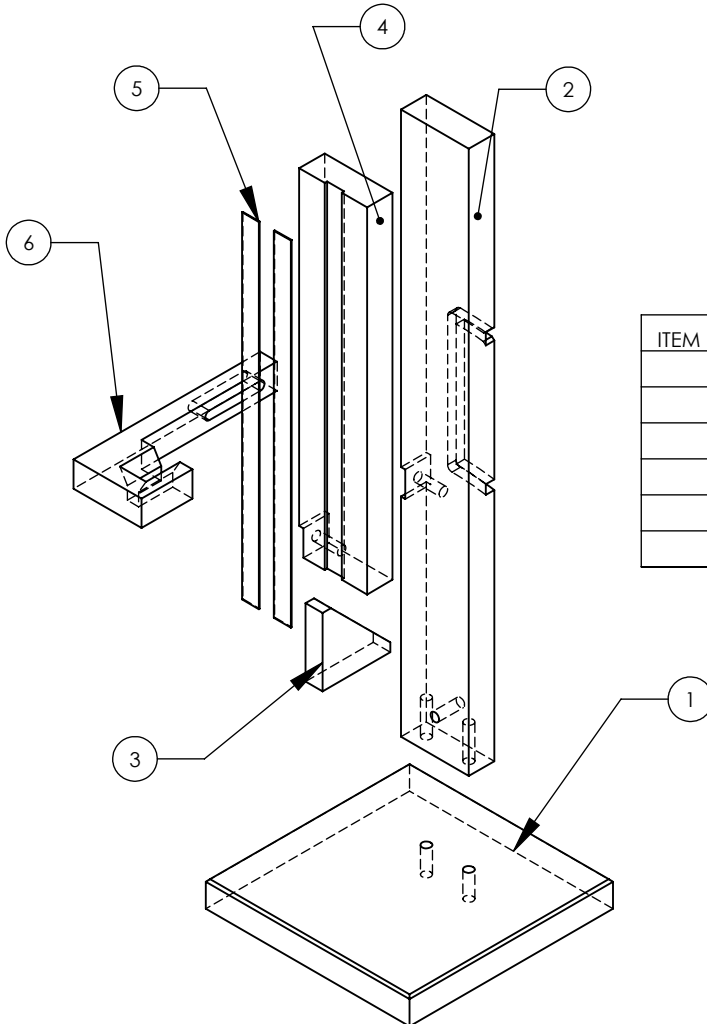
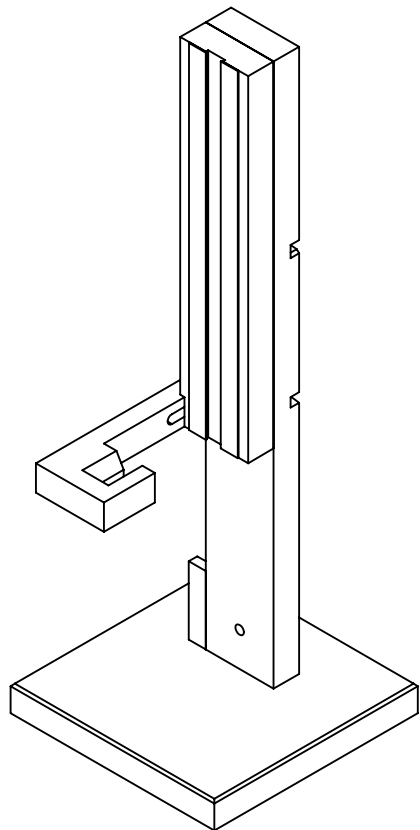


THE INFORMATION CONTAINED IN THIS DRAWING IS THE SOLE PROPERTY OF RAY-VIN, INC. ANY REPRODUCTION IN PART OR WHOLE WITHOUT THE WRITTEN PERMISSION OF RAY-VIN, INC. IS PROHIBITED. CONTACT:
 RAY-VIN, INC., 1844 MT CELLO RD
 MARIANNA, FL 32448-5365
 1-850-482-7562 email: rvb@ray-vin.com
 www.ray-vin.com



ITEM NO.	QTY.	PART NO.	DESCRIPTION
1	1	CL-14 Base	
2	1	CL1 Support	
3	1	CL-15 Brace	
4	1	CL-02 Guide Back	
5	2	CL-03 Case Guide	
6	1	CL-08 Bullet Guide	

ITEM NO.	PART OR IDENTIFYING NO.	NOMENCLATURE OR DESCRIPTION	MATERIAL SPECIFICATION	QTY REQD
PARTS LIST				
UNLESS OTHERWISE SPECIFIED DIMENSIONS ARE IN INCHES TOLERANCES ARE: FRACTIONS DECIMALS ANGLES + .XX+ .XX + 1 .XXX+.XXX		CAD GENERATED DRAWING, DO NOT MANUALLY UPDATE	RAY-VIN, INC. OAK M1 CLIP LOADER BASE ASSEMBLY	
		APPROVALS DATE		
DRAWN		RVB JULY 2010		
CHECKED				
MATERIAL -		RESP ENG		
FINISH -		MFG ENG		
NEXT ASSY USED ON		QUAL ENG		
APPLICATION		DO NOT SCALE DRAWING		
		SCALE	DWG. NO. OCL-02	REV.
		CAD FILE:	SHEET	OF