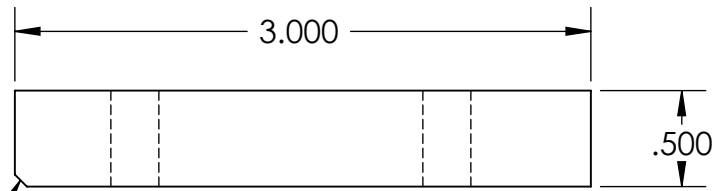
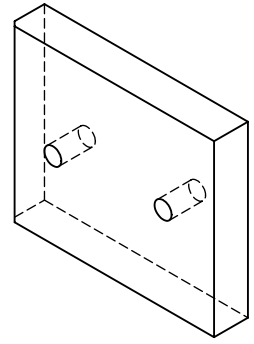
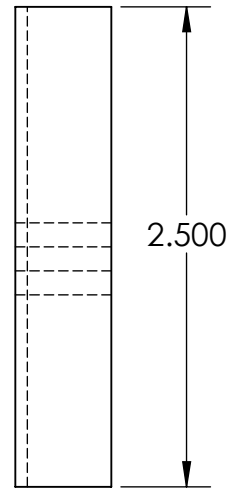
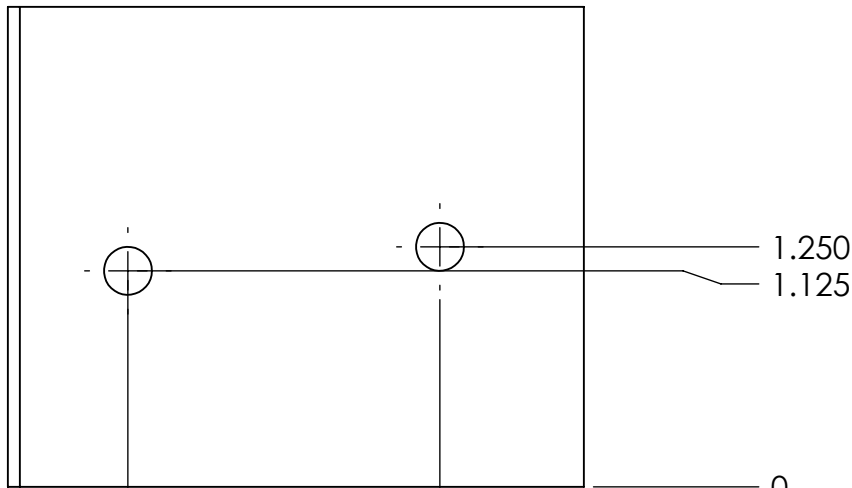


THE INFORMATION CONTAINED IN THIS DRAWING IS THE SOLE PROPERTY OF RAY-VIN, INC. ANY REPRODUCTION IN PART OR WHOLE WITHOUT THE WRITTEN PERMISSION OF RAY-VIN, INC. IS PROHIBITED. CONTACT:

RAY-VIN, INC., 1844 MT CELLO RD
 MARIANNA, FL 32448-5365
 1-850-482-7562 email: rvb@ray-vin.com
 www.ray-vin.com



1/16 x 45



ITEM NO.	PART OR IDENTIFYING NO.	NOMENCLATURE OR DESCRIPTION	MATERIAL SPECIFICATION	QTY REQD
PARTS LIST				
UNLESS OTHERWISE SPECIFIED DIMENSIONS ARE IN INCHES		CAD GENERATED DRAWING, DO NOT MANUALLY UPDATE		RAY-VIN, INC. OAK M1 CLIP LOADER PUSHER BACK
TOLERANCES ARE:		APPROVALS	DATE	
FRACTIONS DECIMALS ANGLES		DRAWN		
+ .XX+ .XX + 1		CHECKED		
MATERIAL		RESP ENG		
FINISH		MFG ENG		
DO NOT SCALE DRAWING		QUAL ENG		
SIZE	DWG. NO.			REV.
A	CL-PB			
SCALE	CAD FILE:			SHEET OF

NEXT ASSY	USED ON
APPLICATION	