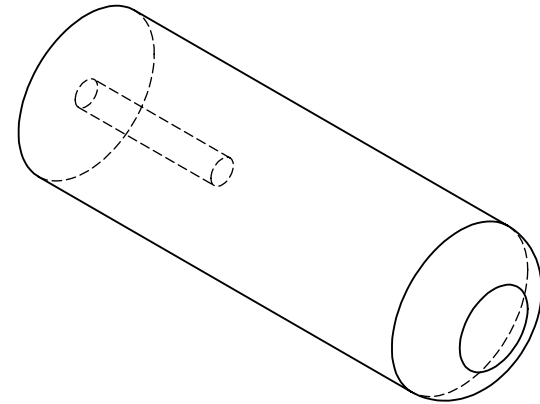
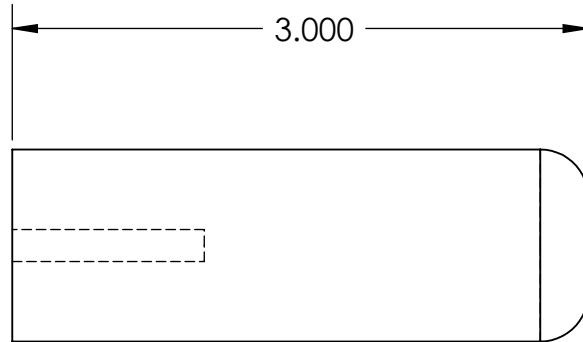
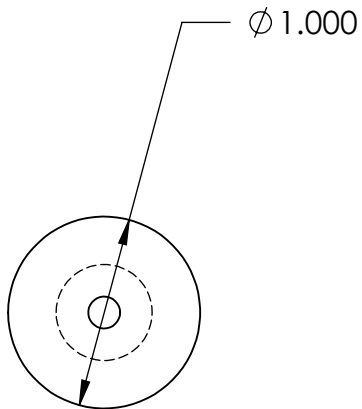


THE INFORMATION CONTAINED IN THIS DRAWING IS THE SOLE PROPERTY OF RAY-VIN, INC. ANY REPRODUCTION IN PART OR WHOLE WITHOUT THE WRITTEN PERMISSION OF RAY-VIN, INC. IS PROHIBITED. CONTACT:

RAY-VIN, INC., 1844 MT CELLO RD
 MARIANNA, FL 32448-5365
 1-850-482-7562 email: rvb@ray-vin.com
 www.ray-vin.com



ITEM NO.	PART OR IDENTIFYING NO.	NOMENCLATURE OR DESCRIPTION	MATERIAL SPECIFICATION	QTY REQD
PARTS LIST				
UNLESS OTHERWISE SPECIFIED DIMENSIONS ARE IN INCHES TOLERANCES ARE:		CAD GENERATED DRAWING, DO NOT MANUALLY UPDATE		RAY-VIN, INC.
FRACTIONS DECIMALS ANGLES + .XX+ .XX + 1 .XXX+.XXX		APPROVALS	DATE	
		DRAWN RVB	JULY 2010	OAK M1 CLIP LOADER PUSHER KNOB
		CHECKED		
		MATERIAL -	RESP ENG	
		FINISH -	MFG ENG	
NEXT ASSY	USED ON	DO NOT SCALE DRAWING	QUAL ENG	
APPLICATION		DO NOT SCALE DRAWING	QUAL ENG	
SCALE	CAD FILE:	SHEET	OF	REV.
A				

