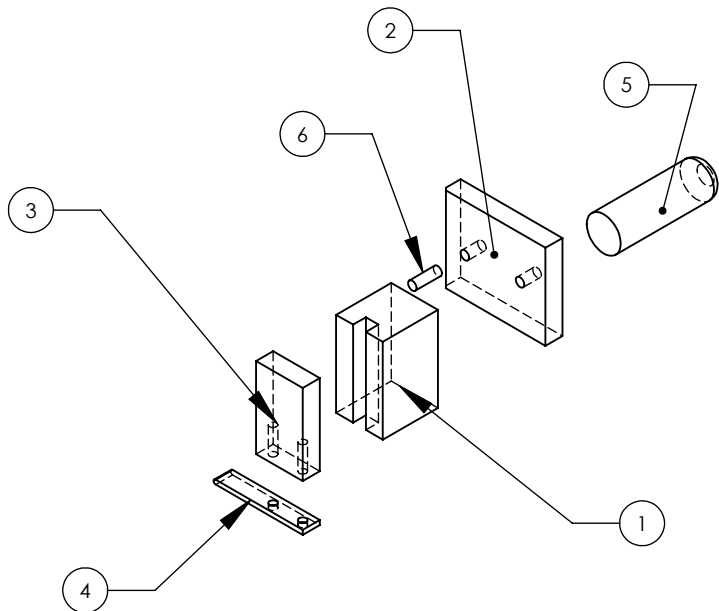


THE INFORMATION CONTAINED IN THIS DRAWING IS THE SOLE PROPERTY OF RAY-VIN, INC. ANY REPRODUCTION IN PART OR WHOLE WITHOUT THE WRITTEN PERMISSION OF RAY-VIN, INC. IS PROHIBITED. CONTACT:
 RAY-VIN, INC., 1844 MT CELLO RD
 MARIANNA, FL 32448-5365
 1-850-482-7562 email: rvb@ray-vin.com
 www.ray-vin.com



ITEM NO.	QTY.	PART NO.	DESCRIPTION
1	1	Pusher Body	
2	1	Pusher Back	
3	1	Pusher Cap	
4	1	Pusher Finger	
5	1	Pusher Knob	
6	1	Pusher Pin	

ITEM NO.	PART OR IDENTIFYING NO.	NOMENCLATURE OR DESCRIPTION	MATERIAL SPECIFICATION	QTY REQD
PARTS LIST				
UNLESS OTHERWISE SPECIFIED DIMENSIONS ARE IN INCHES TOLERANCES ARE: FRACTIONS DECIMALS ANGLES + .XX+ .XX + 1 .XXX+.XXX		CAD GENERATED DRAWING, DO NOT MANUALLY UPDATE		RAY-VIN, INC. OAK M1 CLIP LOADER Name Here
		APPROVALS	DATE	
		DRAWN	RVB July 2010	
		CHECKED		
		MATERIAL	-	
		FINISH	-	
NEXT ASSY	USED ON	DO NOT SCALE DRAWING	SCALE	DWG. NO. OCL- CAD FILE:
APPLICATION		QUAL ENG	SHEET	OF

