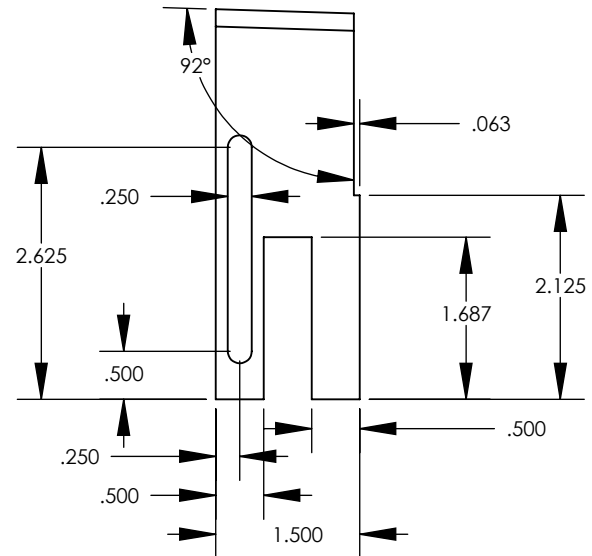
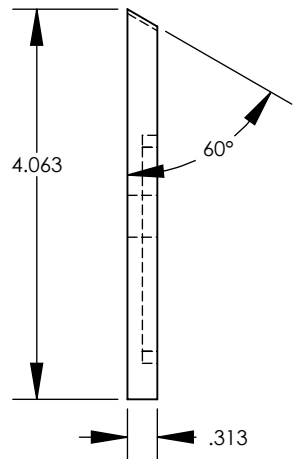
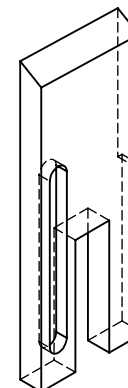


THE INFORMATION CONTAINED IN THIS DRAWING IS THE SOLE PROPERTY OF RAY-VIN, INC. ANY REPRODUCTION IN PART OR WHOLE WITHOUT THE WRITTEN PERMISSION OF RAY-VIN, INC. IS PROHIBITED. CONTACT:  
 RAY-VIN, INC., 1844 MT CELLO RD  
 MARIANNA, FL 32448-5365  
 1-850-482-7562 email: rvb@ray-vin.com  
 www.ray-vin.com



ITEM NO.	PART OR IDENTIFYING NO.	NOMENCLATURE OR DESCRIPTION	MATERIAL SPECIFICATION	QTY REQD
PARTS LIST				
UNLESS OTHERWISE SPECIFIED DIMENSIONS ARE IN INCHES TOLERANCES ARE: FRACTIONS DECIMALS ANGLES + .XX+ .XX + 1 .XXX+.XXX		CAD GENERATED DRAWING, DO NOT MANUALLY UPDATE	<b>RAY-VIN, INC.</b>  OAK M1 CLIP LOADER  FOLLOWER	
		APPROVALS DATE		
		DRAWN RVB July 2010		
		CHECKED		
		RESP ENG		
		MATERIAL -		
		FINISH -		
		MFG ENG		
		QUAL ENG		
NEXT ASSY	USED ON	SIZE DWG. NO. CL-07		REV.
APPLICATION		DO NOT SCALE DRAWING		
		SCALE	CAD FILE:	SHEET OF

