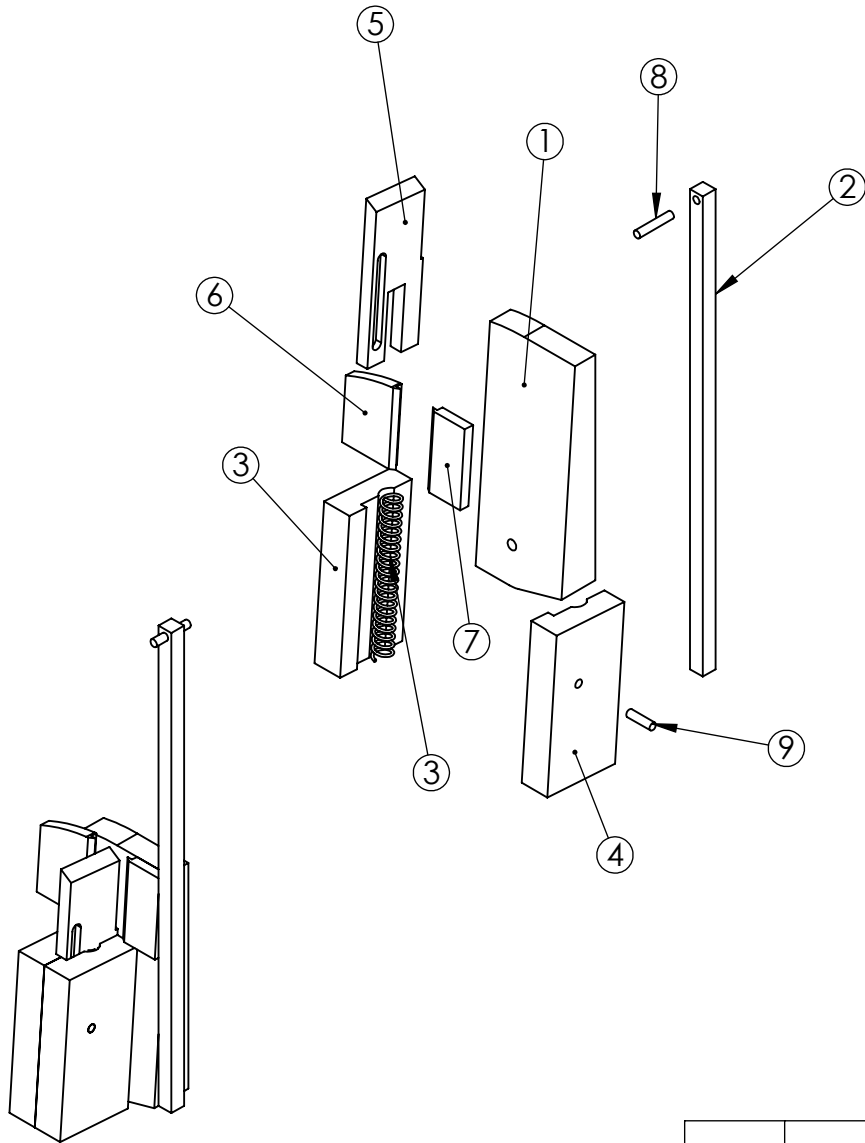


THE INFORMATION CONTAINED IN THIS DRAWING IS THE SOLE PROPERTY OF RAY-VIN, INC. ANY REPRODUCTION IN PART OR WHOLE WITHOUT THE WRITTEN PERMISSION OF RAY-VIN, INC. IS PROHIBITED. CONTACT:

RAY-VIN, INC., 1844 MT CELLO RD
 MARIANNA, FL 32448-5365
 1-850-482-7562 email: rvb@ray-vin.com
 www.ray-vin.com



ITEM NO.	QTY.	PART NO.	DESCRIPTION
1	1	CL-04 Rocker	
2	1	CL-16 Pusher Guide	
3	1	CL-06A Rear Follower Guide	
4	1	CL-06B Front Follower Guide	
5	1	CL-07 Follower	
6	1	CL-05A Rear Clip Holder	
7	1	CL-05 Front Clip Holder	
8	1	rocker pin	
9	1	follower pin	
10	1	Follower Spring	

ITEM NO.	PART OR IDENTIFYING NO.	NOMENCLATURE OR DESCRIPTION	MATERIAL SPECIFICATION	QTY REQD	
PARTS LIST					
UNLESS OTHERWISE SPECIFIED DIMENSIONS ARE IN INCHES TOLERANCES ARE: FRACTIONS DECIMALS ANGLES + .XX+ .XX + 1 .XXX+.XXX		CAD GENERATED DRAWING, DO NOT MANUALLY UPDATE	RAY-VIN, INC. OAK M1 CLIP LOADER ROCKER ASSM		
		APPROVALS			DATE
		DRAWN RVB			JULY 2010
		CHECKED			
MATERIAL -		RESP ENG			
FINISH -		MFG ENG			
NEXT ASSY USED ON		QUAL ENG			
APPLICATION		DO NOT SCALE DRAWING			
		SIZE DWG. NO.	REV.		
		A OCL-03			
		SCALE CAD FILE:	SHEET	OF	